

# DUPLICATE PART LIST

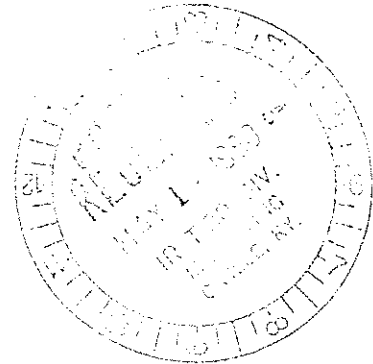
FOR

# TYPE 30 AIR COMPRESSORS

*Model 42*

Form 1786-A

Dec. 1936 - First Edition



This Part List Covers the Following Machines

4" & 2½" x 2¾" Compound Cylinders

42C3	42	H-42DG
42D3	S-42B3	H-42D2
V-42C3	42C-G	H-42D3
42X3	H-42XG	42XG
H-42X3		

4" & 4" x 2¾" Duplex Cylinders

44C3	44
44D3	V-44X2
44X3	V-44

4" x 2¾" Single Cylinders

4B2	4C3	4
4C2	4X2	4E
4B3	4X3	4G
S4B2	L4B2	

Note:—When ordering spares, give the SIZE and SERIAL NUMBER of the compressor, as well as the NAME and NUMBER of the part required as shown in the list.

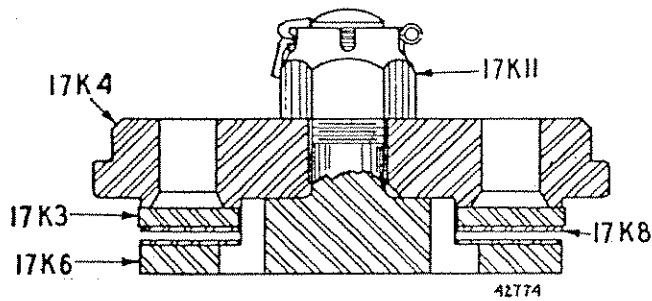
Hang this part list on the wall near compressor.

## Ingersoll-Rand

11 Broadway, New York City

# INLET AND DISCHARGE VALVE PARTS

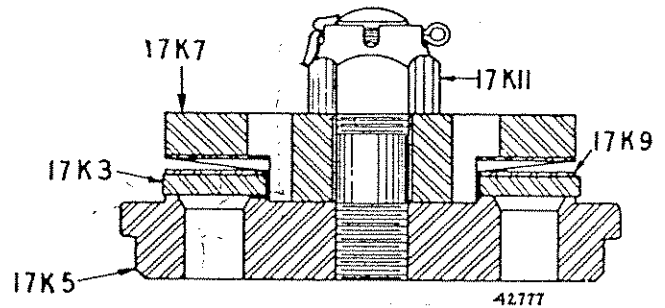
Model 42



No. 17K INLET VALVE

VALVE PARTS FOR 4" x 2 1/4" CYLINDER

Part Number	Name of Part	No. of Parts per Cylinder
17K1	Inlet Valve Complete.....	1
17K3	Valve.....	1
17K4	Valve Seat.....	1
17K6	Valve Stop Plate.....	1
17K8	Valve Spring.....	1
17K11	Valve Nut.....	1



No. 17K DISCHARGE VALVE

VALVE PARTS FOR 4" x 2 1/4" CYLINDER

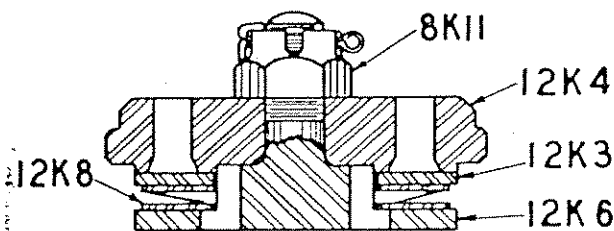
Part Number	Name of Part	No. of Parts per Cylinder
17K2	Discharge Valve Complete.....	1
17K3	Valve.....	1
17K5	Valve Seat.....	1
17K7	Valve Stop Plate.....	1
17K9	Valve Spring.....	1
17K11	Valve Nut.....	1

VALVE PARTS FOR VACUUM PUMP CYLINDERS

*17K1B	Inlet Valve Complete.....	1
*17K3A	Valve.....	1
17K4	Valve Seat.....	1
17K6	Valve Stop Plate.....	1
*17K8B	Valve Spring.....	1
17K11	Valve Nut.....	1

VALVE PARTS FOR VACUUM PUMP CYLINDERS

*17K2B	Discharge Valve Complete.....	1
*17K3A	Valve.....	1
17K5	Valve Seat.....	1
17K7	Valve Stop Plate.....	1
17K9	Valve Spring.....	1
17K11	Valve Nut.....	1

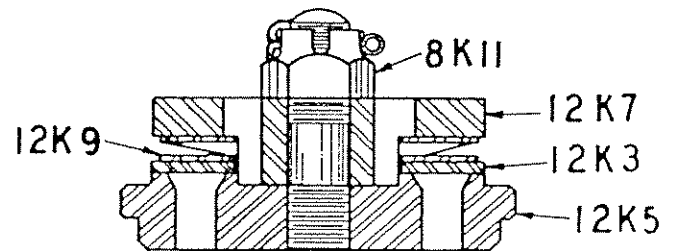


No. 12K INLET VALVE

VALVE PARTS FOR 2 1/2" x 2 1/4" CYLINDER

No. of Parts per Unit

12K1	Inlet Valve Complete.....	1
12K3	Valve.....	1
12K4	Valve Seat.....	1
12K6	Valve Stop Plate.....	1
12K8	Valve Spring.....	1
8K11	Valve Nut.....	1



No. 12K DISCHARGE VALVE

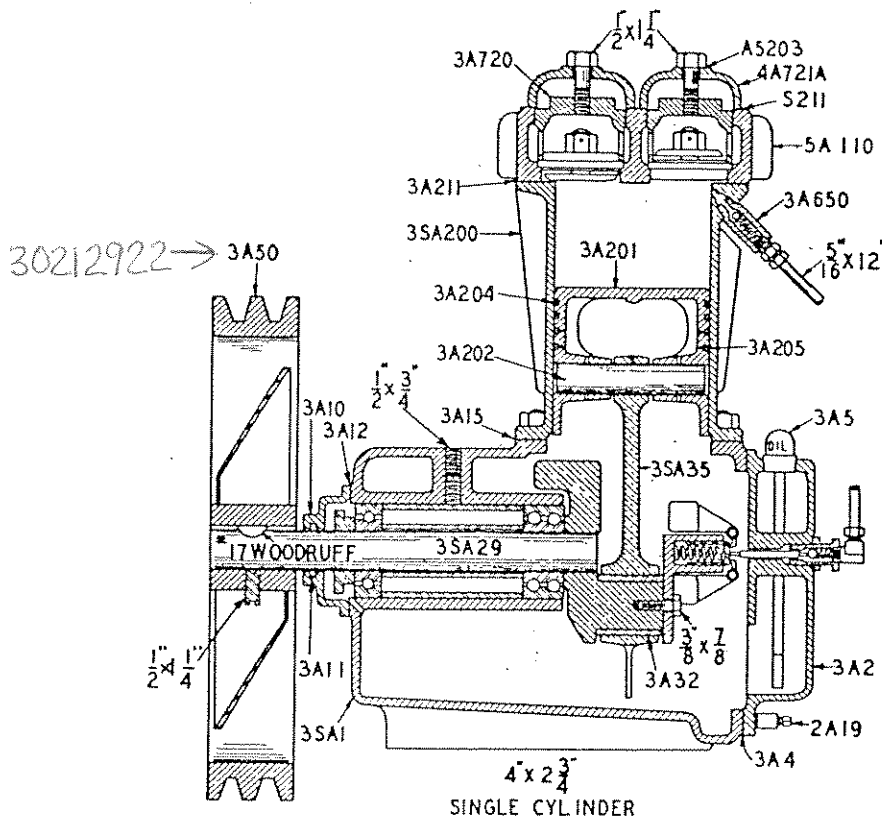
VALVE PARTS FOR 2 1/2" x 2 1/4" CYLINDER

No. of Parts per Unit

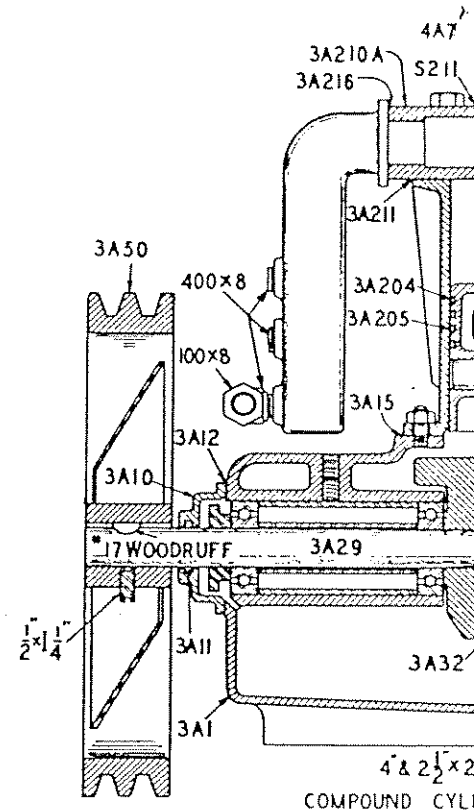
12K2	Discharge Valve Complete.....	1
12K3	Valve.....	1
12K5	Valve Seat.....	1
12K7	Valve Stop Plate.....	1
12K9	Valve Spring.....	1
8K11	Valve Nut.....	1

\*Parts marked with an (\*) Asterisk are not shown. Use the full Part Number as given in the lists.

# CYLINDER, FRAME, SHAFT WITH



SINGLE CYLINDER



COMPOUND CYLINDER

FRAME, SHAFT, WHEEL AND INTERCOOLER PARTS

Part Number	Name of Part	No. of Parts per Unit
3A1	Frame—Compound and Duplex Compressors	1
3SA1	Frame—Single Stage Compressors	1
3A2	Frame End Cover	1
3A4	Frame End Cover Gasket	1
3/4"x3/4"	Frame End Cover Cap Screw	6
3/4"x1 1/2"x1/2"	Cover Cap Screw Copper Washer	6
2A3	Frame End Cover Plug—For Constant Speed Control only	1
3W2206	Oil Gauge (shown as 3A5)	1
3A10	Shaft End Cover, includes Packing	1
3W1253	Shaft End Cover Packing (shown as 3A11)	1
3A12	Shaft End Cover Gasket	1
3/4"x3/4"	Shaft End Cover Cap Screw	4
3/4"x1 1/2"x1/2"	Cover Cap Screw Copper Washer	4
3A15	Cylinder Flange Gasket—Compound and Duplex	2
	—Single Stage	1
2A19	Oil Drain	1
3A29	Crankshaft Complete—Compound and Duplex Compressors	1
3SA29	Crankshaft Complete—Single Stage Compressors	1
*3A34	Connecting Rod Complete—Compound Compressors, includes 3A32, 3A35 (2), 3A201, 3A202, 3A204 (2), 3A205 (2), 3A101, 3A102, 3A104 (2), 3A105 (2)	1
*3A34A	Connecting Rod Complete—Duplex Compressors, includes 3A32, 3A35 (2), 3A201 (2), 3A202 (2), 3A204 (4), 3A205 (4)	1

\*Parts marked with an (\*) Asterisk are not shown. Use the full Part Number as given in the lists.

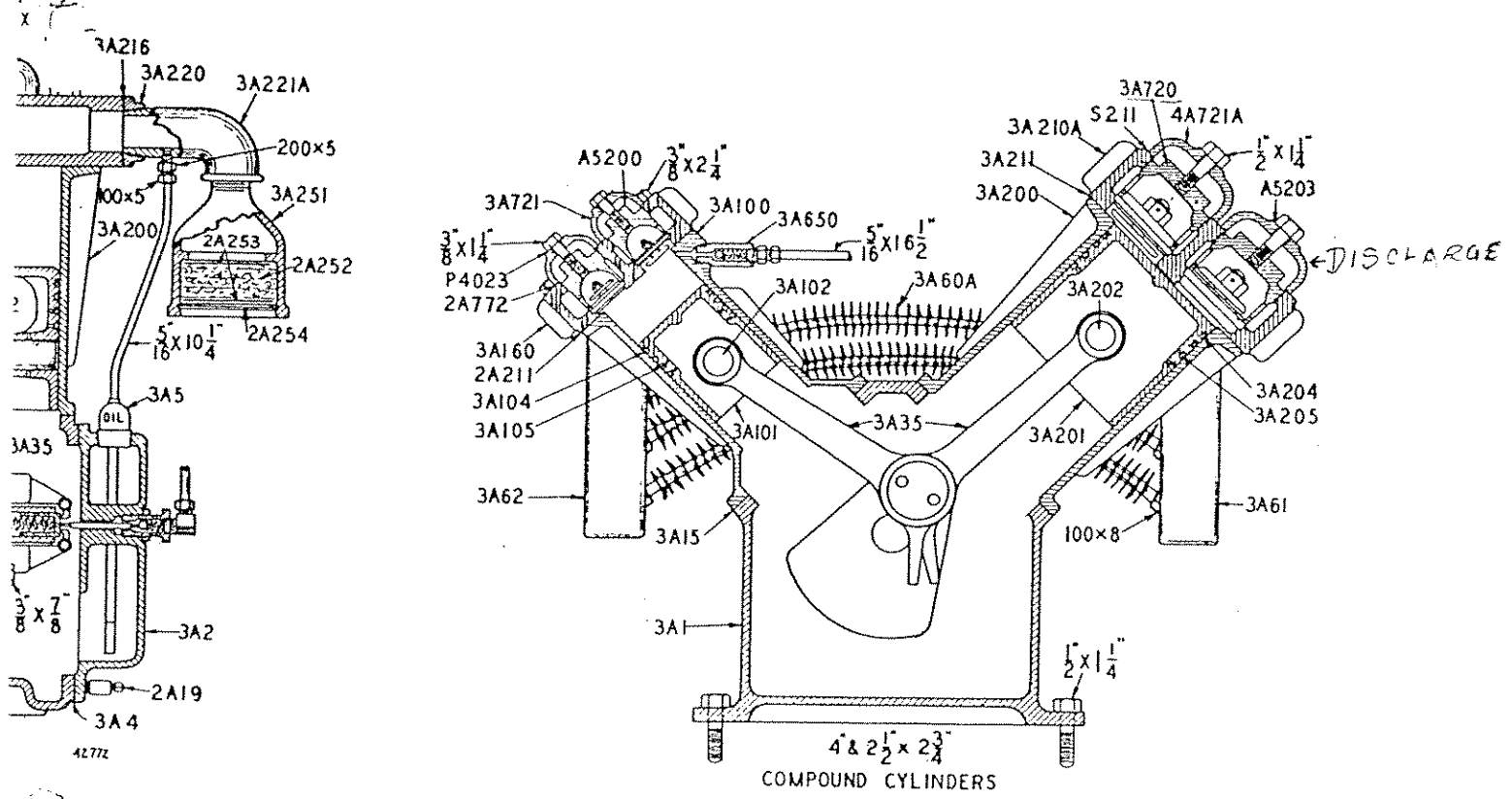
3A29 - 32146052

FRAME, SHAFT, WHEEL AND INTERCOOLER PARTS

Part Number	Name of Part	No. of Parts per Unit
*3SA34	Connecting Rod Complete—Single Cylinder Compressors, includes 3A32, 3SA35, 3A201, 3A202, 3A204 (2), 3A205 (2)	1
3A32	Crank Pin Bushing	1
*3A33	Crank Pin Cap—Omit when Centrifugal Governor is furnished	1
3/4"x3/4"	Crank Pin Cap Screw	2
3A35	Connecting Rod—Compound and Duplex Compressors	2
3SA35	Connecting Rod—Single Cylinder Compressors	1
3/4"x3/4"	Main Bearing Set Screw	2
3A50	Belt Wheel, includes Key and Set Screw	1
No. 17 Woodruff	Belt Wheel Key	1
3/4"x1 1/4"	Belt Wheel Set Screw—Square Head—Cup Point	1
*3A400A	Flat Belt Wheel, includes Key, Cap Screw, Nut and Washer	1
*3/4"x4 1/4"	Flat Belt Wheel Cap Screw and Nut	1
*3A59	Intercooler Complete, includes 3A61, 3A216, 3A62, 2A216, 3/4"x1 1/4" Spiral Fin Tubing (3), 100X8 Tube Nut (6), 400X8 Tube Elbow (6)	1
3A60A	3/4"x1 1/4" Spiral Fin Tubing, includes Tube Nut (2)	3
100 X 8	Tube Nut	6
400 X 8	Tube Elbow	6
3A61	L. P. Intercooler Connection, includes Gasket	1
3A62	H. P. Intercooler Connection, includes Gasket	1
3A216	L. P. Intercooler Connection Gasket	1
2A216	H. P. Intercooler Connection Gasket	1

3A35 = 32004152 (2)

# AIR CYLINDER AND INTERCOOLER PARTS



4" CYLINDER PARTS

Part Number	Name of Part	No. of Parts per Cylinder
3A200	Air Cylinder—Compound Compressors	1
3SA200	Air Cylinder—Duplex and Single Cylinder Compressors	1
3A201	Air Piston, includes Pin	1
3A202	Air Piston Pin	1
3A204	Piston Ring—Compression	2
3A205	Piston Ring—Oil Wiper	2
*3A209	Air Head Complete—Compound and Duplex Compressors, includes 3A210A, 17K1, 17K2, 3A720 (2), S211 (2), 4A721A (2), A5203 (2), 3/4"x1 1/4" Cap Screw (2), 3A216	1
*5A100	Air Head Complete—Single Cylinder Compressors, includes 5A110, 17K1, 17K2, 3A702 (2), S211 (2), 4A721A (2), A5203 (2), 3/4"x1 1/4" Cap Screw (2), 3A216	1
3A210A	Air Head—Compound and Duplex Compressors, includes 3A211	1
5A110	Air Head—Single Cylinder Compressors, includes 3A211	1
3/4"x2 3/4"	Air Head Cap Screw	4
3A211	Air Head Gasket	1
3A220	Air Inlet Flange	1
3A216	Air Inlet Flange Gasket	1
3A211A	Air Inlet Elbow—Compound Compressors	1
*3SA221	Air Inlet Elbow—Single Cylinder Compressors	1
*3A222	Air Inlet Muffler—Compound and Single Cylinder Compressors—Obsolete	1
*3A223	Air Inlet Elbow { Duplex } Obsolete	1
*844551C	Air Inlet Cleaner { Compressors } Obsolete	1
*3A217	Air Inlet Manifold { Duplex } Obsolete	1
3A216	Air Inlet Manifold Gasket { Compressors }	1
*3A210	Air Head—When Inlet Manifold is used	1
*3A218	Air Discharge Manifold { Duplex only }	1
3A216	Air Discharge Manifold Gasket	1
3A221A	Air Inlet Street Elbow—Compound and Duplex Compressors	1
3A250	Air Inlet Muffler and Cleaner Complete includes 3A251, 3A252 (4), 2A253 (2), 2A254	1
3A251	Air Inlet Muffler and Cleaner Body	1
2A252	Air Inlet Muffler and Cleaner Filler	2
2A253	Air Inlet Muffler and Cleaner Body Screen	2
2A254	Air Inlet Muffler and Cleaner Screen Locking Spring	1
3A720	Valve Cage	2
4A721A	Valve Cage Cap	2
S211	Valve Cage Cap Gasket	2
3/4"x1 1/4"	Valve Cage Cap Screw	2
A5203	Valve Cage Cap Screw Gasket—Compound and Single Cylinder Compressors	2
3/4"x1 1/4"	Valve Cage Cap Screw Gasket—Duplex Compressor	2

\*Parts marked with an (\*) Asterisk are not shown. Use full Part Number as given in the lists.

Part Number	Name of Part	No. of Parts per Cylinder
3/4"x10 1/2"	Breather Tubing—Compound Compressors, includes Tube Nuts (2)	1
*3/4"x21"	Breather Tubing—Duplex Compressors, includes Tube Nuts (2)	1
*3/4"x16"	Breather Tubing—Single Cylinder Compressors, includes Tube Nuts (2)	1
200X5	Breather Tube Connector	2
100X5	Breather Tube Nut	2
3/4"x17"	Cylinder to Receiver Tubing, includes 100X12 Tube Nuts (2)—Duplex Compressors	1
3/4"x19"	Cylinder to Receiver Tubing, includes 100X12 Tube Nuts (2)—Compound Compressors	1
100X12	Tube Nut	2
400X12	Tube Elbow—Compound and Single Cylinder Compressors	1
*450X12	Tube Elbow	1
*200X12	Tube Connector—Duplex Compressors	1

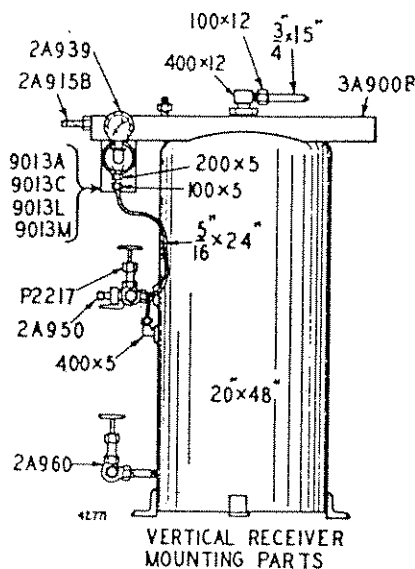
PARTS FOR SINGLE STAGE VACUUM PUMP

Part Number	Name of Part	No. of Parts per Cylinder
*3DA209V	Air Head Complete includes 3A210, 17K1B, 17K2B, 3A720 (2), S211 (2), 4A721A (2), A5203 (2), 3/4"x1 1/4" Cap Screw (2), 3A216	1
3A210	Air Head, includes Gasket	2
3A211	Air Head Gasket	2
*3A217	Inlet Manifold	1
3A216	Inlet Manifold Gasket	2
3/4"x3/4"	Inlet Manifold Cap Screw	8
3/4"x3/4"x1/2"	Cap Screw Copper Washer	8
3/4"x14 1/4"	Breather Tubing, includes Tube Nut (2)	1

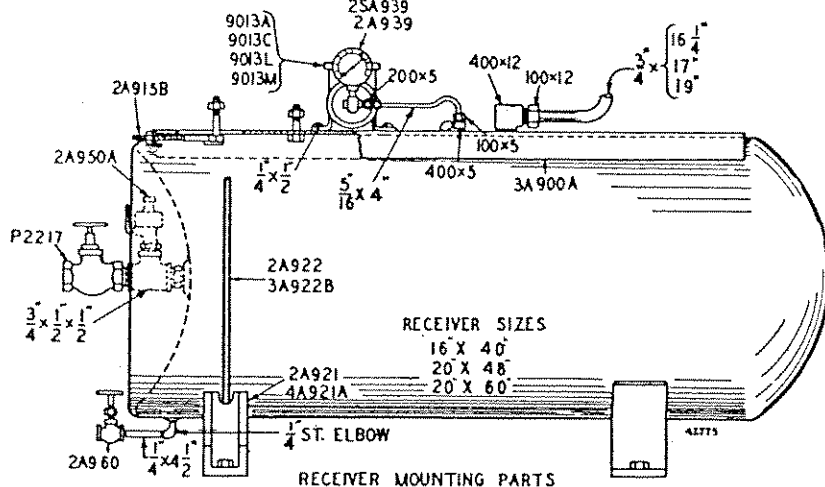
2 1/2" CYLINDER PARTS

Part Number	Name of Part	No. of Parts per Cylinder
3A100	Air Cylinder	1
3A101	Air Piston, includes Pin	1
3A102	Air Piston Pin	1
3A104	Piston Ring—Compression	2
3A105	Piston Ring—Oil Wiper	2
*3A159	Air Head Complete includes 3A160, 12K1, 12K2, A5200 (2), 2A772 (2), 3A721 (2), P4023 (2), 3/4"x1 1/4" Cap Screw (2), 2A216	1
3A160	Air Head, includes 2A211	1
2A211	Air Head Gasket	1
*2A220	Air Head Cap Screw	4
*2A218	Air Discharge Flange	1
*No. 111"	Air Discharge Flange Gasket	1
	Discharge Flange Taper Pin	1
A5200	Valve Cage	2
3A721	Valve Cage Cap	2
2A772	Valve Cage Cap Gasket	2
3/4"x1 1/4"	Valve Cage Cap Screw	2
P4023	Valve Cage Cap Screw Gasket	2
3/4"x16 1/4"	Cylinder to Receiver Tubing, includes 100X12 Tube Nuts (2)	1
100X12	Tube Nut	1
*450X12	Tube Elbow	2

# RECEIVER AND MOUNTING PARTS



VERTICAL RECEIVER MOUNTING PARTS



RECEIVER SIZES

16 X 40  
20 X 48  
20 X 60

RECEIVER MOUNTING PARTS

## PARTS FOR BOTH HORIZONTAL AND VERTICAL RECEIVERS

Part Number	Name of Part	No. of Parts per Unit
$\frac{1}{4}$ " x $\frac{1}{4}$ "	Compressor to Subbase Cap Screw	4
*3A910	Motor Pulley, includes Set Screw—Specify Make and Type of Motor	1
$\frac{3}{4}$ " x $\frac{1}{2}$ "	Motor Pulley Set Screw	1
*3A915	Belt Tightener—Pulley Side	1
*3A915A	Belt Tightener—Governor Side	1
2A915B	Belt Tightener	1
$\frac{3}{4}$ " x $\frac{1}{4}$ "	Motor Cap Screw, Nut and Lock Washer	3
9013A	Pressure Regulator—2 Pole—90 lbs. to 180 lbs.	1
9013C	Pressure Regulator—3 Pole—90 lbs. to 180 lbs.	1
9013L	Pressure Regulator—2 Pole—5 lbs. to 15 lbs.	1
9013M	Pressure Regulator—2 Pole—15 lbs. to 80 lbs.	1
*2A930	Pressure Regulator Spacer	3
$\frac{3}{4}$ " x 1"	Pressure Regulator Cap Screw	3
P2217	Service Valve	1
2A960	Drain Valve	1
$\frac{1}{4}$ "	Drain Valve Street Elbow	1

Part Number	Name of Part	No. of Parts per Unit
Parts furnished on Automatic Start and Stop Control		
$\frac{1}{4}$ " x $\frac{1}{4}$ "	Elbow	1
$\frac{1}{4}$ " x $\frac{1}{2}$ "	Pipe Nipple	1
$\frac{3}{4}$ " x 1"	Copper Tubing, includes Tube Nuts (2)	1
100 x 5	Tube Nut	2
200 X 5	Tube Connector	1
400 X 5	Tube Elbow	1
$\frac{1}{4}$ " X $\frac{1}{4}$ "	Button Head Set Screw	4
Parts furnished for Constant Speed Control		
$\frac{1}{4}$ "	Tee	1
$\frac{1}{4}$ "	Street Elbow	1
$\frac{1}{4}$ "	Close Nipple	1
$\frac{1}{4}$ " x $\frac{1}{4}$ "	Reducing Bushing	1

## PARTS FOR HORIZONTAL RECEIVER

3A900A	Subbase	1
*7A8	Motor Pulley Belt	2
16" x 40"	Air Receiver—Standard	1
16" x 40"	Air Receiver—A. S. M. E.	1
20" x 48"	Air Receiver—Standard	1
20" x 48"	Air Receiver—A. S. M. E.	1
20" x 60"	Air Receiver—Standard	1
20" x 60"	Air Receiver—A. S. M. E.	1
16" x 40"	Air Receiver	1
2A921	Air Receiver Saddle	2
2A922	Air Receiver Strap	4
*3A924	Air Receiver Saddle Clip	4
20" x 48"	Air Receiver	1
4A921A	Air Receiver Saddle	2
3A922B	Air Receiver Strap	4
*4A924	Air Receiver Saddle Clip	4
20" x 60"	Air Receiver	1
4A921A	Air Receiver Saddle	2
3A922B	Air Receiver Strap	4
*3A924A	Air Receiver Saddle Clip	4
2A950A	Safety Valve	1
$\frac{3}{4}$ " x $\frac{1}{2}$ " x $\frac{1}{2}$ "	Tee—20" x 48" Receiver	1
$\frac{1}{2}$ " x $\frac{1}{2}$ " x $\frac{1}{2}$ "	Tee—20" x 60" Receiver	1
$\frac{1}{4}$ " x $\frac{1}{2}$ "	Pipe Nipple—Drain	1
2A939	Pressure Gauge—Compound and Duplex Compressors	1
2SA939	Pressure Gauge—Single Cylinder Compressors	1
*2A917A	Belt Guard	1
$\frac{3}{4}$ " x $\frac{1}{4}$ "	Belt Guard Cap Screw, Nut and Lock Washer	1
*2A913	Belt Guard Spacer	2
*2A914	Belt Guard Brace	1
$\frac{1}{4}$ "	Nut and Lock Washer	2
*2A919	Belt Guard Back—Compressor Side	1
$\frac{3}{4}$ " x 1"	Belt Guard Back Cap Screw	2
*2A906	Air Receiver Foot—for 16" Dia. Receiver	4
*2A907	Air Receiver Foot—for 20" Dia. Receiver	4

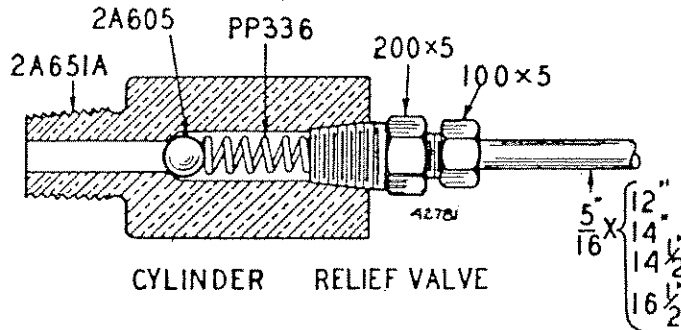
## PARTS FOR VERTICAL RECEIVER

Part Number	Name of Part	No. of Parts per Unit
3A900B	Subbase	1
*7A1	Motor Pulley Belt	2
$\frac{1}{4}$ "	Tee	1
$\frac{1}{4}$ "	Close Nipple	2
$\frac{3}{4}$ " x $\frac{1}{2}$ "	Reducing Bushing	1
2A950	Safety Valve	1
$\frac{1}{4}$ "	Close Nipple	1
2A939	Street Elbow	1
$\frac{1}{4}$ "	Pressure Gauge	1
$\frac{3}{4}$ " x 15"	Compressor to Receiver Tubing, includes Tube Nut (2)	1
400 X 12	Tube Elbow	2
100 X 12	Tube Nut	2
For Automatic Start and Stop Control		
$\frac{3}{4}$ " x 24"	Copper Tubing, includes Tube Nuts (2)	1
100 X 5	Tube Nut	2
400 X 5	Tube Elbow	2
$\frac{1}{4}$ "	Tee	1
$\frac{1}{4}$ "	Close Nipple	2
*2A917B	Belt Guard	1
$\frac{3}{4}$ " x 1"	Belt Guard Cap Screw, Nut and Lock Washer	1
*2A913	Belt Guard Spacer	2
*2A914	Belt Guard Brace	1
*2A919A	Belt Guard Back—Compressor Side	1
$\frac{3}{4}$ " x 1"	Belt Guard Back Cap Screw and Lock Washer	2
20" x 48"	Air Receiver	1

\*Parts marked with an (\*) Asterisk are not shown. Use the full Part Number as given in the lists.

# GOVERNOR AND CYLINDER RELIEF VALVE

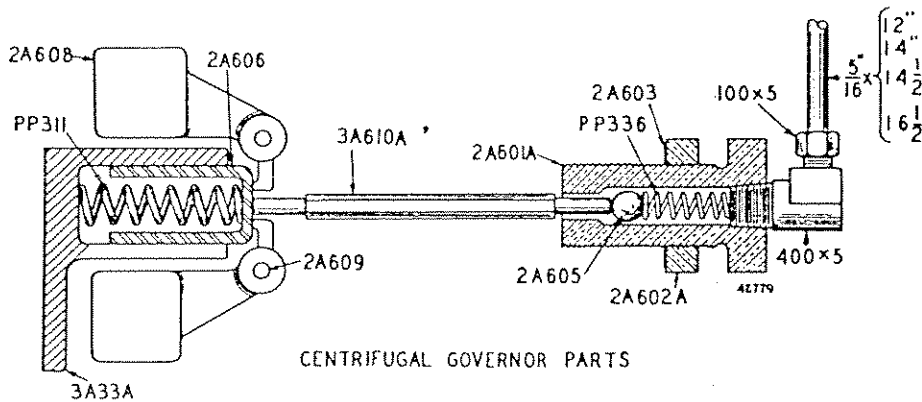
FOR UNITS WITH AUTOMATIC START AND STOP CONTROL



CYLINDER RELIEF VALVE

CYLINDER RELIEF VALVE PARTS

Part Number	Name of Part	No. of Parts per Unit
3A650	Cylinder Relief Valve Complete, includes 2A651A, 2A605, PP336, 200X5 Tube Connector—Compound and Single Cylinder Valve Compressors.....	1
*2A650A	Cylinder Relief Valve Complete, includes 2A651A, 2A605, PP336, 400X5 Tube Elbow—Duplex Compressors.....	2
2A651A	Cylinder Relief Valve Body—Compound and Single Cylinder Compressors.....	1
2A605	Relief Valve Steel Ball—Compound and Single Cylinder Compressors.....	2
PP336	Relief Valve Spring—Compound and Single Cylinder Compressors.....	1
200X5	Relief Valve Tube Connector—Compound and Single Cylinder Compressors.....	1
*400X5	Relief Valve Tube Elbow—Duplex Compressors.....	2



CENTRIFUGAL GOVERNOR PARTS

CENTRIFUGAL GOVERNOR PARTS

Part Number	Name of Part	No. of Parts per Unit
3A600A	Centrifugal Governor Complete, includes 2A601A, to 3A33A inclusive.....	1
2A601A	Pilot Valve Body.....	1
2A602A	Pilot Valve Lock Nut.....	1
2A603	Pilot Valve Lock Nut Gasket.....	1
2A605	Pilot Valve Steel Ball.....	1
2A606	Centrifugal Governor Plunger.....	1
PP311	Centrifugal Governor Plunger Spring.....	1
2A608	Centrifugal Governor Weight.....	2
2A609	Centrifugal Governor Thrust Pin.....	2
3A610A	Centrifugal Governor Tubing Elbow—Compound and Single Cylinder Compressors.....	1
400X5	Centrifugal Governor Tubing Tee—Duplex Compressors.....	1
*600X5	Pilot Valve Spring.....	1
PP336	Crank Pin Cap.....	1
3A33A	Crank Pin Cap Assembly, includes 3A33A, 2A606, PP311, 2A608 (2), 2A609 (2).....	1
4A612		

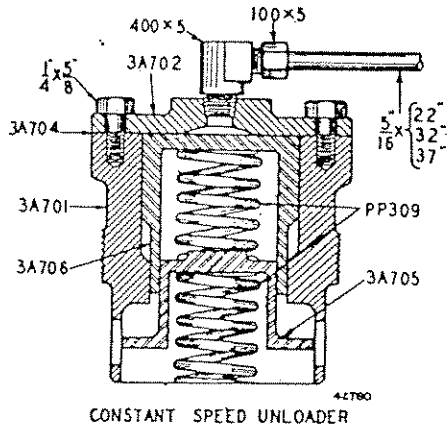
CENTRIFUGAL GOVERNOR PARTS

Part Number	Name of Part	No. of Parts per Unit
3/8"x16 1/2"	Centrifugal Governor to Relief Valve Tubing, includes Tube Nuts (2)—Compound Compressors.....	1
100X5	Tube Nut.....	2
200X5	Tube Connector.....	1
400X5	Tube Elbow.....	1
3/8"x14"	Centrifugal Governor to Relief Valve Tubing—Short, includes Tube Nuts (2)—Duplex Compressors.....	1
100X5	Tube Nut.....	2
3/8"x14 1/2"	Centrifugal Governor to Relief Valve Tubing—Long, includes Tube Nuts (2)—Duplex Compressors.....	1
100X5	Tube Nut.....	2
*600X5	Tube Tee—Duplex Compressors.....	1
400X5	Tube Elbow—Duplex Compressors.....	2
3/8"x12"	Centrifugal Governor to Relief Valve Tubing, includes Tube Nuts (2)—Single Cylinder Compressors.....	1
400X5	Tube Elbow.....	1
200X5	Tube Connector.....	1
100X5	Tube Nut.....	2

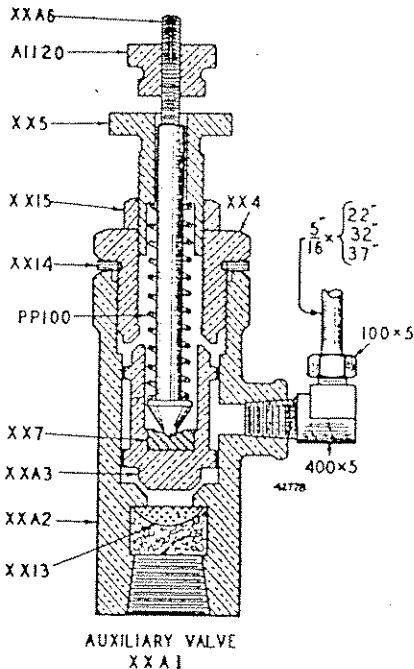
\*Parts marked with an (\*) Asterisk are not shown. Use the full Part Number as given in the lists.

# UNLOADER AND AUXILIARY VALVE PARTS

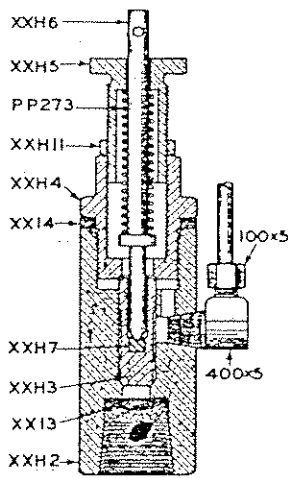
## FOR UNITS WITH CONSTANT SPEED CONTROL



CONSTANT SPEED UNLOADER



AUXILIARY VALVE  
XXA1



### CONSTANT SPEED UNLOADER PARTS

Part Number	Name of Part	No. of Parts per Unit
*3A699	Constant Speed Unloader Complete, includes Auxiliary Valve and Tubing and Fittings to Air Receiver—Compound Compressors	1
*3DA699	Constant Speed Unloader Complete, includes Auxiliary Valve and Tubing and Fittings to Air Receiver—Duplex Compressors	1
*3SA699	Constant Speed Unloader Complete, includes Auxiliary Valve and Tubing and Fittings to Air Receiver—Single Cylinder Compressors	1
*3A700	Constant Speed Unloader Complete, includes Tubing and Fittings to Auxiliary Valve—Compound Compressors	1
*3DA700	Constant Speed Unloader Complete, includes Tubing and Fittings to Auxiliary Valve—Duplex Compressors	1
*3SA700	Constant Speed Unloader Complete, includes Tubing and Fittings to Auxiliary Valve—Single Cylinder Compressors	1
3A701	Unloader Valve Cage	1
3A702	Unloader Valve Cage Cap	1
1/4"x3/4"	Unloader Valve Cage Cap Screw	1
3A704	Unloader Valve Cage Cap Gasket	1
3A705	Unloader Valve	1
3A706	Unloader Valve Plunger	1
PP309	Unloader Valve Spring	1
400X5	Unloader Tube Elbow	2
100X5	Unloader Tube Nut—Compound and Single Cylinder Compressors	2
100X5	Unloader Tube Nut—Duplex Compressors	4
*600X5	Unloader Tube Tee—Duplex Compressors	1
1/4"x3/2"	Tubing from Unloader to Auxiliary Valve, includes Tube Nut (2)—Compound Compressors	1
1/4"x3/7"	Tubing from Unloader to Auxiliary Valve, includes Tube Nut (2)—Duplex Compressors	1
1/4"x22"	Tubing from Unloader to Auxiliary Valve, includes Tube Nut (2)—Single Cylinder Compressors	1
*3A710	Tubing and Fittings through Auxiliary Valve to Air Receiver—Compound Compressors	1
*3DA710	Tubing and Fittings through Auxiliary Valve to Air Receiver—Duplex Compressors	1
*3SA710	Tubing and Fittings through Auxiliary Valve to Air Receiver—Single Cylinder Compressors	1
*3A713	Unloader and Auxiliary Valve Complete with 10 ft. of Tubing, 1/4" Close Nipple, and 1/2" Street Elbow—Compound Compressors	1
*3DA713	Unloader and Auxiliary Valve Complete with 10 ft. of Tubing, 1/4" Close Nipple, and 1/2" Street Elbow—Duplex Compressors	1
*3SA713	Unloader and Auxiliary Valve Complete with 10 ft. of Tubing, 1/4" Close Nipple, and 1/2" Street Elbow—Single Cylinder Compressors	1

### XXA1 AUXILIARY VALVE PARTS FOR 100 LBS. PRESSURE

Part Number	Name of Part	No. of Parts per Unit
XXA1	Auxiliary Valve Complete, includes the following parts—	1
XXA2	Auxiliary Valve Body	1
XXA3	Auxiliary Valve, includes XX7	1
XX4	Auxiliary Lower Valve Seat	1
XX5	Auxiliary Valve Spring Adjuster	1
XXA6	Auxiliary Valve Spring Guide	1
XX7	Auxiliary Valve Spring Guide Socket	1
PP100	Auxiliary Valve Spring	1
XX13	Auxiliary Valve Filter Disc	1
XX14	Auxiliary Valve Range Shim—Set	1
XX15	Auxiliary Valve Spring Adjuster Lock	1
A1120	Hand Unloading Nut	1

### XXH AUXILIARY VALVE PARTS—FOR 100 LBS. TO 200 LBS. PRESSURE

Part Number	Name of Part	No. of Parts per Unit
XXH1	Auxiliary Valve Complete, includes the following—	1
XXH2	Auxiliary Valve Body	1
XXH3	Auxiliary Valve, Includes XXH7	1
XXH4	Auxiliary Lower Valve Seat	1
XXH5	Auxiliary Valve Spring Adjuster	1
XXH6	Auxiliary Valve Spring Guide	1
XXH7	Auxiliary Valve Spring Guide Socket	1
XXH11	Auxiliary Valve Spring Adjuster Lock Nut	1
PP273	Auxiliary Valve Spring	1
XX13	Auxiliary Valve Filter Disc	1
XX14	Auxiliary Valve Range Shims—Set	1
100X5	Tube Nut	1
400X5	Tube Elbow	1

\*Parts Marked with an (\*) Asterisk are not shown. Use the full Part Number as given in the lists.