

Operation Manual
Airbrush Compressor AS196
ARTICLE 34209



Read and follow the operating instructions and safety information before using for the first time.

Technical changes reserved!

Due to further developments, illustrations, functioning steps and technical data can differ insignificantly.

Updating the documentation

If you have suggestions for improvement or have found any irregularities please contact us.



The information contained in this document is subject to change without prior notice. No part of this document can be copied or duplicated in another form without the prior written consent of WiITec Wildanger Technik GmbH. The WiITec Wildanger Technik GmbH assumes no liability for any errors in this user manual or the connection diagram.

Although WiITec Wildanger Technik GmbH has made every effort to make sure that this user manual is complete, accurate and updated, errors cannot always be avoided. In the event of problems with this user manual please complete and send this form back to us.

FAX-notification (+++49 2403 55592-15),

from: _____

Name: _____

Firm: _____

Tel/Fax: _____

I would like to report the following mistakes:

Customer Service WiITec Wildanger Technik GmbH

e-mail: service@WiITec.info

Tel:++ +49 2403 55592-0

Introduction

Thank you for purchasing this quality product. **To minimize the risk of injury by means of fire or electric shock we urge that our clients take some basic safety precautions when using this device. Please read the operation instructions carefully and make sure you have understood its content.**

Always use a grounded power connection with the appropriate mains voltage. You can find the corresponding mains voltage on the type plate. If you have any doubts about the connection being grounded, have it checked by a qualified professional. Never use a faulty electric cable.

Do not inspect the electrical part of the pressure pond filter in a wet or damp environment or when you are wet yourself and protect it from direct sunlight. Install this device in a safe location so that nobody can step on the cable, fall over or damage it. Disconnect the power plug before cleaning it and use only a damp cloth for cleaning. Avoid using cleaning agents and make sure that no liquid enters the electrical part of the pump.

The electric part of the device contains no parts that can be inspected or serviced by the user. Leave the maintenance, adjustment and repair to qualified technical personnel. In case of unauthorised intervention the 2-year warranty is no longer valid! Keep these operation instructions safe.

Safety guideline



The use of this device is allowed only with fault current protection switch with a triggering nominal current up to 30mA (according to VDE 0100 Article 702 and 738).

The device is not intended for use by persons (including children) with impaired or limited physical, sensory and mental abilities or lack of experience and/or real knowledge, unless they are supervised by a person responsible for their safety or the follow the instructions, made by this person on how to use the device correctly.

Children should be supervised to make sure that they do not play with the device.



- **The head of the compressor (with cooling fins) can get very hot.**
- Run a visual inspection of the device before every use. Do not use the device if the safety appliances are damaged or worn out. Never override safety regulations.
- Use the device exclusively according to the intended purpose stated in the instructions for use.
- You are responsible for the safety of the working environment.
- If the cable or the plug is damaged due to external influences the cable must not be repaired! It has to be replaced with a new one. This work can be carried out only by an electrician.
- The voltage indicated on the type plate of the device of 230 Volt alternating voltage has to correspond to the existent mains voltage.
- Never lift, carry or fixate the device by using the power cable.
- Make sure that the electrical plug connection is placed in a flood-proof area and is protected from moisture.
- Disconnect the mains plug before starting the maintenance work at the compressor.
- The user is responsible for complying with the location specific safety and mounting regulations (you can ask an electrician)
- In case of device failure the repairs can be carried out only by an electrician or by the WiITec-repair service.

SAFETY GUIDELINES:



- The user should choose the right compressor with the appropriate air volume and air pressure to correspond to the actual work requirements.
- Never expose the device to dust, acid, steam, explosive or flammable gases or atmospheric influences (rain, sun, fog, snow).
- The vacuum pump can be operated only in an appropriate environment (well ventilated, ambient temperature +5 - +40 degrees C).
- Never use the compressor barefoot or with wet hands or feet.
- Never allow children to touch the switched-on compressor or to insert the plug. It may cause burns or electric shocks.
- Do not open or damage any part of the compressor. If necessary please contact your seller.
- Release the water by opening the drain valve. Always do so before not using the compressor for a long time. Store the compressor in a well ventilated place.
- Always wear goggles. Under no circumstances should you direct the airflow towards your body or other persons' bodies.
- Never use in areas with steam or moisture or close to water.
- Switch off the compressor if you do not use it. Disconnect from mains before you repair, recondition, maintain, clean or replace parts. Never use the power cable as handle. Keep the power cable away from hot objects, oil and sharp edges. Protect it against breakage. Do not pull the power cable in order to unplug it from the power socket.
- If the compressor is used outdoors, only approved extensions may be used. Every wire of the extension cable must have at least 1, 5 mm² cross-section.
- Do not store the compressor with the plug inserted into the plug. Do not allow children or any other people who are not able to handle this device to play or work with it.
- Be very careful when you are working with the compressor. Do not use it if you are tired. Persons under the influence of alcohol, drugs or medication are not allowed to use this device.
- When you start working make sure that all screws are tightened.
- Do not use the compressor if it is damaged. If the compressor generates unusual noises and strong vibrations or if other unusual signs occur that indicate some damage you should turn off the compressor immediately. For repairs please use only original spare parts. Do not make any technical modifications to the compressor. In case you cannot eliminate the malfunction hand over the device to your seller.
- Sie das Gerät Ihrem Verkäufer.

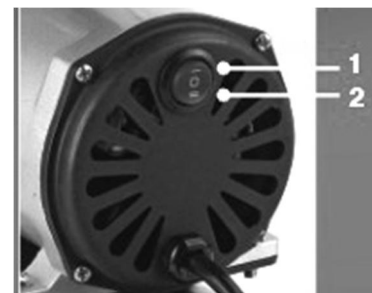
Properties

Piston compressor

1. Air tank supplies constant airflow without oscillatory airflows
2. With water filter, pressure adjustment und manometer
3. Double air pressure-switch

Switch 1: Low-pressure-auto stop-switch for airbrushing.

Switch 2: High-pressure switch without stop function, for other high pressure air tools



5. Automatic start without counter pressure extends the stability of the engine.
6. Protection against excessive temperature
7. Safety device for the air tank.
8. Very low noise level

Field of application

The AS196 Airbrush is among others suitable for the operation in the following areas:

Crafts, hobby, modelling, tattoos and body art, make-up and nail design, as a source of air in the medical field, food and chemical industries, laboratories etc.

Specification

| | |
|----------------------------|--|
| Type | Twin cylinder air compressor |
| Power: | 190W (¼-PS) |
| Rotation speed: | 1450 / 1700 rpm |
| Standard volume: | 35 – 40 l/min |
| Double switch | Switch 1: automatic start at 3 bar (4psi), Autostop at 4 bar Switch 2: maximum 6 bar, no Autostop |
| Pressure adjustment range: | 0 – 6 bar |
| Air tank: | 3,5 l |
| Weight: | 7,2 kg |
| Dimensions | 350x135x310 mm |

Users notice

The compressor has a 1/8 inch outlet (9,51 mm, male thread), which can be effortlessly changed to ¼ inch. The matching adapter is not included in the supply.

When the compressor is connected by the hose to the airbrush gun, the compressor can be connected to the mains and be switched on.

The maximum pressure is displayed by the pressure gauge, the operating pressure can be adjusted by the pressure regulator.

The hose that is included in the supply, is air-impermeable. If the auto-stop mode is activated (repeatedly switch on/off) any and all screw fittings and connections should be sealed by a tape made of teflon.

Testing of leakage

Switch on the compressor and wait until the maximum pressure has built up and the auto-stop function has been activated.

If there is no leakage, the pressure gauge should display nearly constantly the same range of pressure.

A quick decrease of the range of pressure suggests that there is in fact a leakage.

It is of great importance to seal any leak as soon as possible in order to avoid any impact on the capacity and efficiency of the compressor.

A leak causes the auto-stop and auto-start function to be carried out permanently.

The difference between maximum pressure and operating pressure

The maximum pressure is the highest possible pressure a compressor is able to generate.

Once the maximum pressure has been reached, the compressor switches off (auto-stop). As soon as the pressure starts to decrease, it switches on again (auto-start).

There is a lower pressure on the outlet of the compressor. What remains is the pressure you actually work with. The operating pressure may vary according to the connected airbrush gun.

Operation of the pressure relief station with filter



- a) Pressure regulator
- b) Manometer
- c) Water drain plug

Product name: Pressure regulator with filter and manometer
Typ: **AFR-2000**

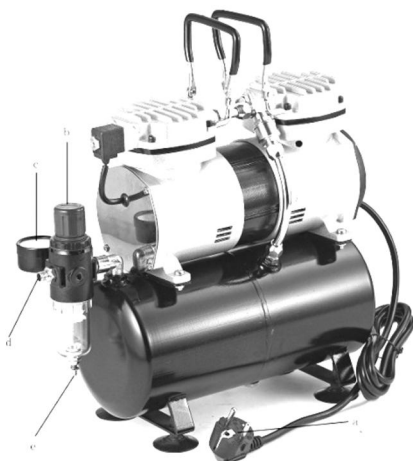
Specifications:

The **AFR-2000** is an in-line low pressure regulator with 9 bar (100 psi) manometer and water drain plug. This regulator allows you to control the pressure and helps generating clean, dry, pressure-stable air. The regulator can be used only according to the operating instructions.

Operation:

- The manometer reports the working pressure of the air tool.
- Pull up the adjusting knob; its clockwise rotation increases the pressure, and a counter-clockwise rotation reduces the pressure.
- Rotate the adjusting knob to achieve the right working pressure and fixate it downwards by clicking it into place.
- Do not rotate the knob against high resistance. If necessary the height and the position of the knob can vary slightly.
- For emptying the condensed water collector use the water drain plug.

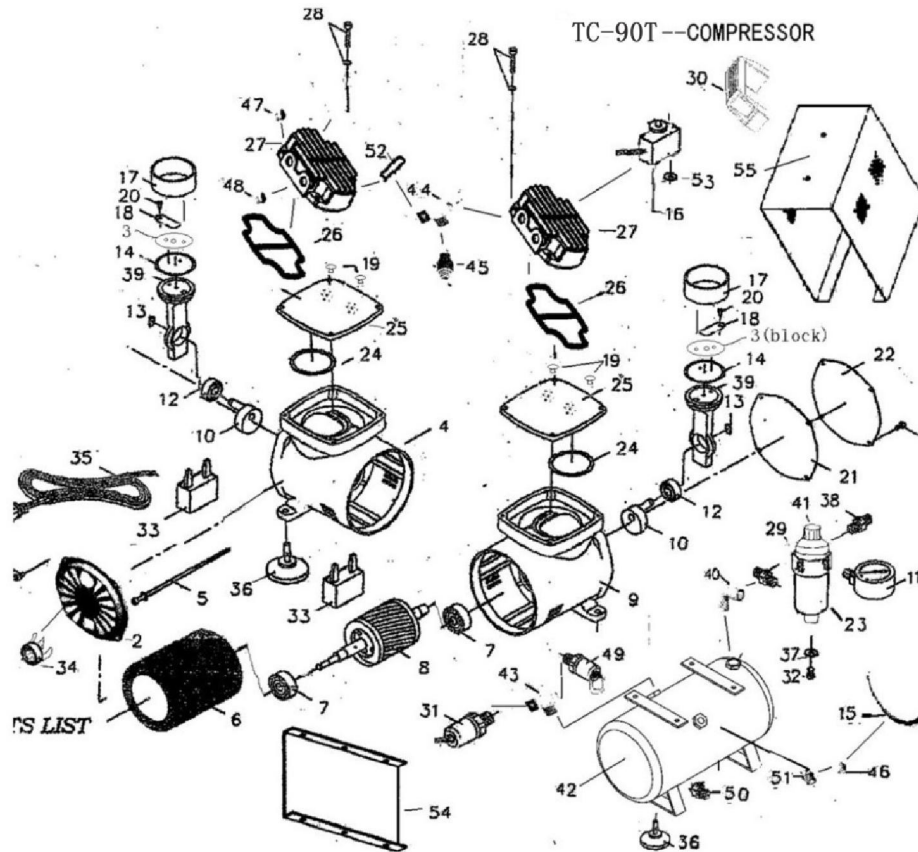
Assembly



- h) Mains plug
- i) Pressure regulator
- j) Manometer
- k) Air outlet
- l) Water drain valve

Double switch:
Switch setting 1: Auto-Stop at 4 bar
Switch setting 2: Maximum pressure at 6 bar

Part List



PARTS LIST

| INDEX NO. | PARTS NO. | DESCRIPTTON | QTY | INDEX NO. | PARTSNO. | DESCRIPTTON | QTY |
|-----------|--------------|------------------|-----|-----------|--------------|--------------------|-----|
| 1 | TC-90T --#01 | SCREW | 8 | 29 | TC-90T --#29 | FILTER VALVE | 1 |
| 2 | TC-90T --#02 | REAR COVER | 1 | 30 | TC-90T --#30 | HANDLE | 1 |
| 3 | TC-90T --#03 | BLOCK | 2 | 31 | TC-90T --#31 | PRESSURE SWITCH | 1 |
| 4 | TC-90T --#04 | REAR BODY | 1 | 32 | TC-90T --#32 | WATER DRAIN VALVE | 1 |
| 5 | TC-90T --#05 | SCREW | 4 | 33 | TC-90T --#33 | CONDENSER | 2 |
| 6 | TC-90T --#06 | STATIONARY MOTOR | 1 | 34 | TC-90T --#34 | POWER SWTCH | 1 |
| 7 | TC-90T --#07 | BEARING | 2 | 35 | TC-90T --#35 | WIRE | 1 |
| 8 | TC-90T --#08 | ROTARY MOTOR | 1 | 36 | TC-90T --#36 | RUBBER PAD | 4 |
| 9 | TC-90T --#09 | FRONT BODY | 1 | 37 | TC-90T --#37 | HEXAGON NUT | 1 |
| 10 | TC-90T --#10 | COUNTERWEIGHT | 2 | 38 | TC-90T --#38 | CONNECTOR | 2 |
| 11 | TC-90T --#11 | MANOMETER | 1 | 39 | TC-90T --#39 | LINK | 2 |
| 12 | TC-90T --#12 | BEARING | 2 | 40 | TC-90T --#40 | ADAPTER | 1 |
| 13 | TC-90T --#13 | RETAINIER RING | 2 | 41 | TC-90T --#41 | PRESSURE REGULATOR | 1 |
| 14 | TC-90T --#14 | COMPRESSION RING | 2 | 42 | TC-90T --#42 | TANK | 1 |
| 15 | TC-90T --#15 | PIPE | 1 | 43 | TC-90T --#43 | THREE WAY MANIFOLD | 1 |
| 16 | TC-90T --#16 | SOLENOID VALVE | 1 | 44 | TC-90T --#44 | THREE WAY MANIFOLD | 1 |
| 17 | TC-90T --#17 | CYLINDER | 2 | 45 | TC-90T --#45 | NONE RETURN VALVE | 1 |
| 18 | TC-90T --#18 | VALVE PLATE | 2 | 46 | TC-90T --#46 | PIPE NUT | 1 |
| 19 | TC-90T --#19 | O-RING | 4 | 47 | TC-90T --#47 | PLUG | 1 |
| 20 | TC-90T --#20 | SCREW | 2 | 48 | TC-90T --#48 | MUFFLE | 1 |
| 21 | TC-90T --#21 | FRONT GASKET | 1 | 49 | TC-90T --#49 | SAFETY VALVE | 1 |
| 22 | TC-90T --#22 | FRONT COVER | 1 | 50 | TC-90T --#50 | DRAIN VALVE | 1 |
| 23 | TC-90T --#23 | FILTER | 1 | 51 | TC-90T --#51 | ADAPTER | 1 |
| 24 | TC-90T --#24 | O-RING | 1 | 52 | TC-90T --#52 | PIPE | 1 |
| 25 | TC-90T --#25 | CYLINDER BLCKCK | 2 | 53 | TC-90T --#53 | SCREW NUT | 1 |
| 26 | TC-90T --#26 | O-RING | 2 | 54 | TC-90T --#54 | BASE | 1 |
| 27 | TC-90T --#27 | CYLINDER HEAD | 2 | 55 | TC-90T --#55 | COVER | 1 |

Disposal regulations

EU guidelines regarding the disposal of scrap electric appliances (WEEE, 2002/96/EC) were implemented in the law related to electrical and electronic equipment and appliances.

All WiITec electric devices that fall under the WEEE regulations are labelled with the crossed-out wheeled waste bin logo. This logo indicates that this electric equipment must not be disposed with the domestic waste.

The company WiITec Technik GmbH has been registered in the German registry EAR under the WEEE-registration number DE45283704.

Disposal of used electrical and electronic appliances (intended for use in the countries of the European Union and other European countries with a separate collection system for these appliances).

The logo on the article or on its packaging points out that this article must not be treated as normal household waste but must be disposed to a recycling collection point for electronic and electrical waste equipment. By contributing to the correct disposal of this article you protect the environment and the health of your fellow men. Environment and health are threatened by inappropriate disposal.



Materials' recycling helps reduce the consumption of raw materials.

Additional information on recycling this article can be provided by your local community, municipal waste disposal facilities or the store where you purchased the article.

Address:
WiITec Wildanger Technik GmbH
Königsbenden 12 / 28
D-52249 Eschweiler

Important notice:

The reprint or reproduction, even of excerpts, and any commercial use, even in part of this instructions manual require the written permission of WiITec Wildanger Technik GmbH.