

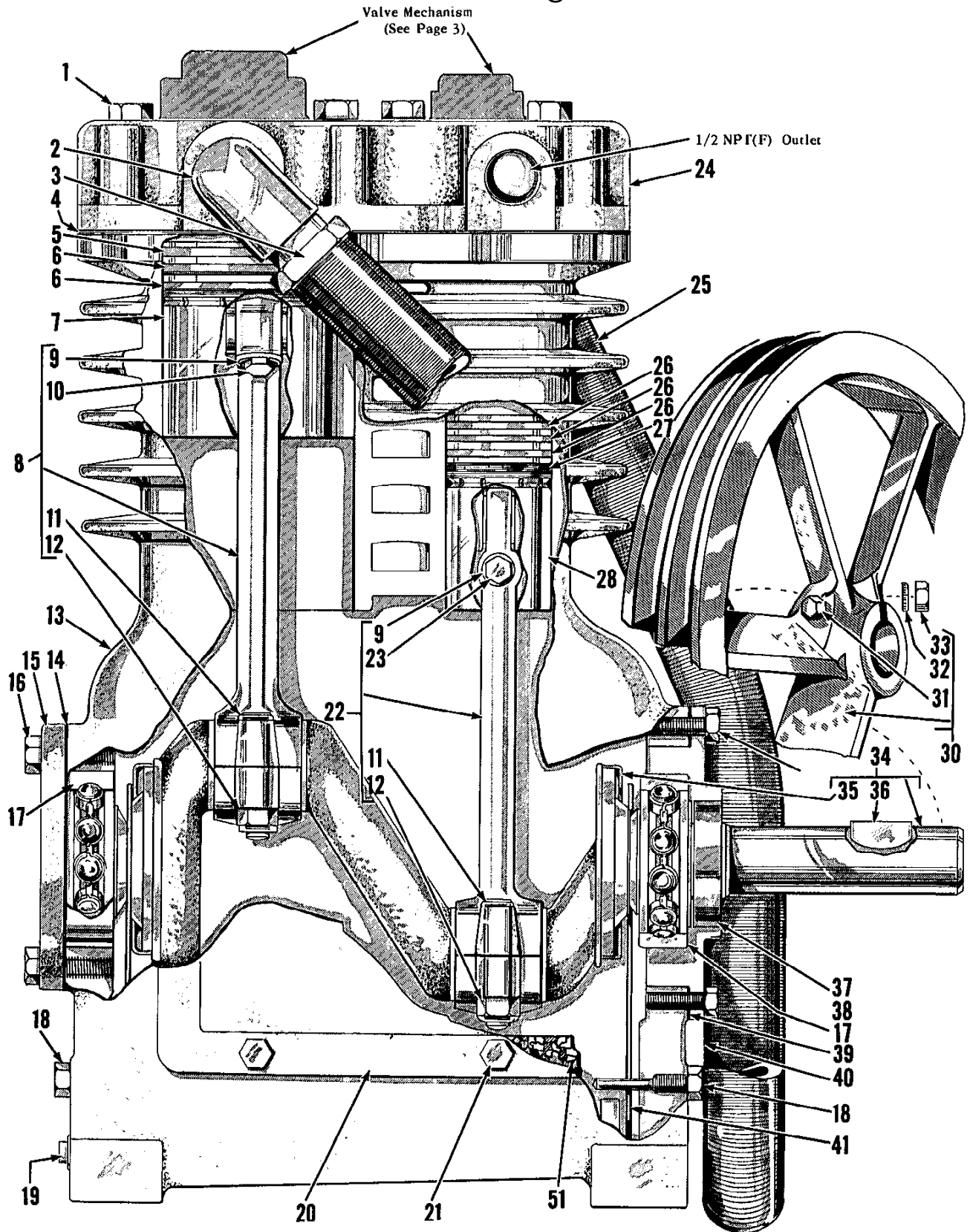


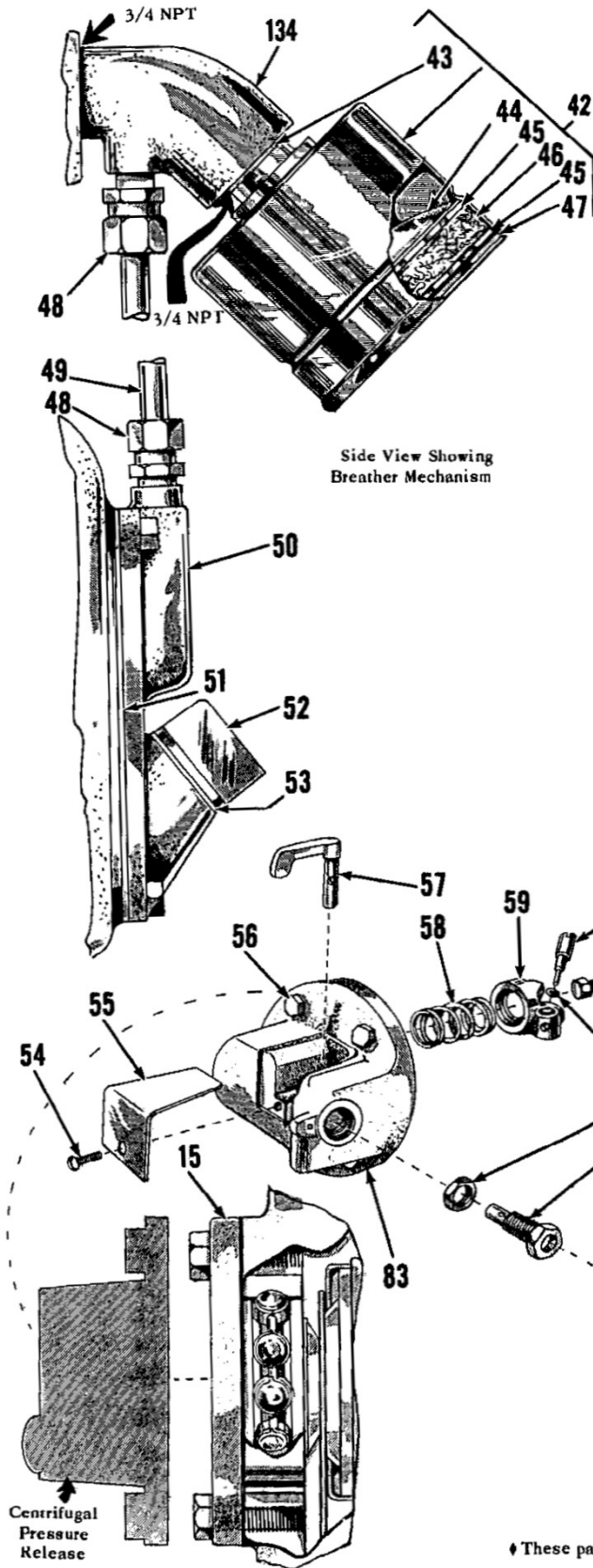
330 Compressor

SERVICE BULLETIN
30:360

Distributed by: CENTRAIR Air Systems & Supplies,
Phone: 705-722-5747 Fax: 705-722-5458 sales@centrair.ca www.centrair.ca

Page 1 of 4
Replaces 859-A

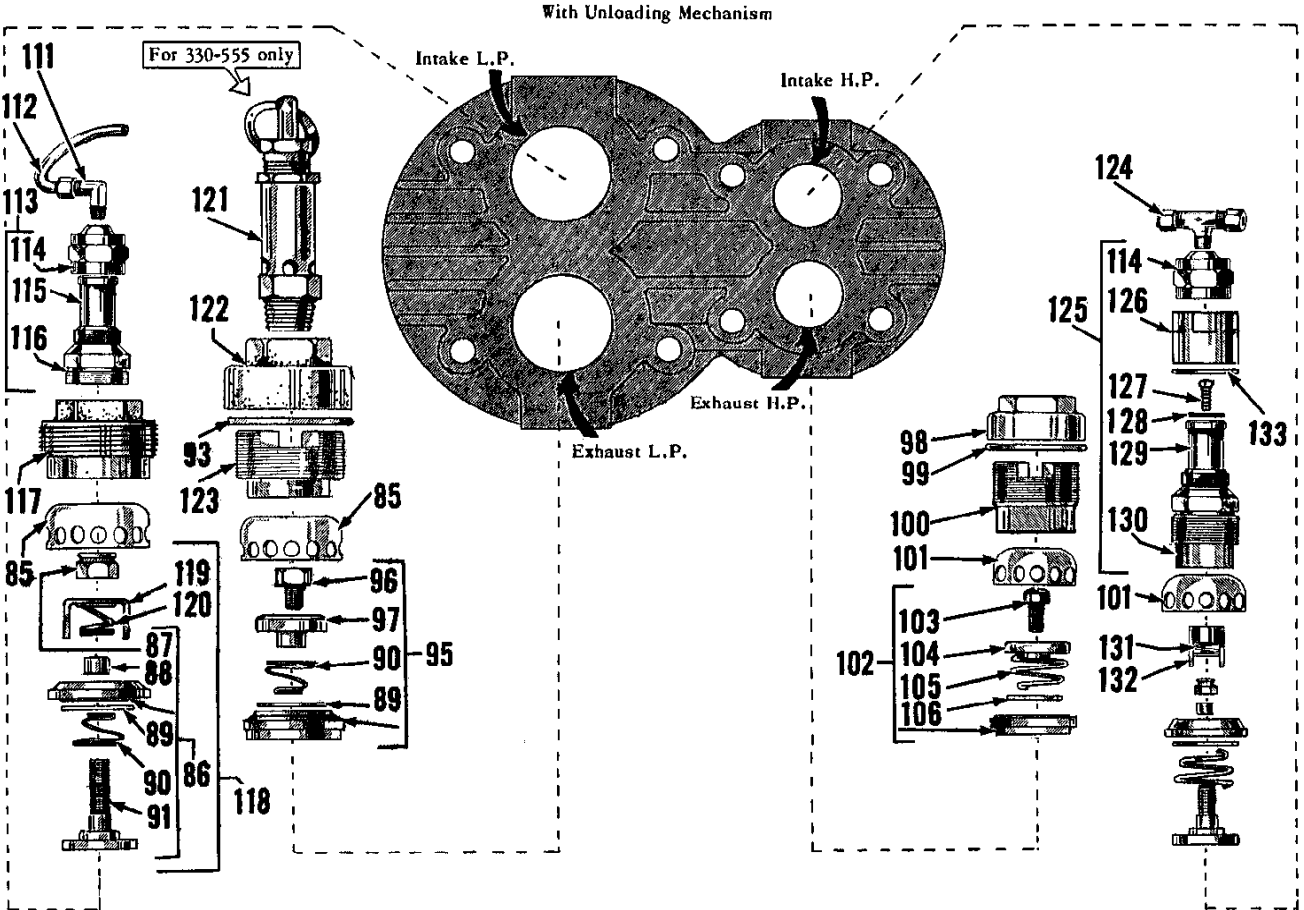
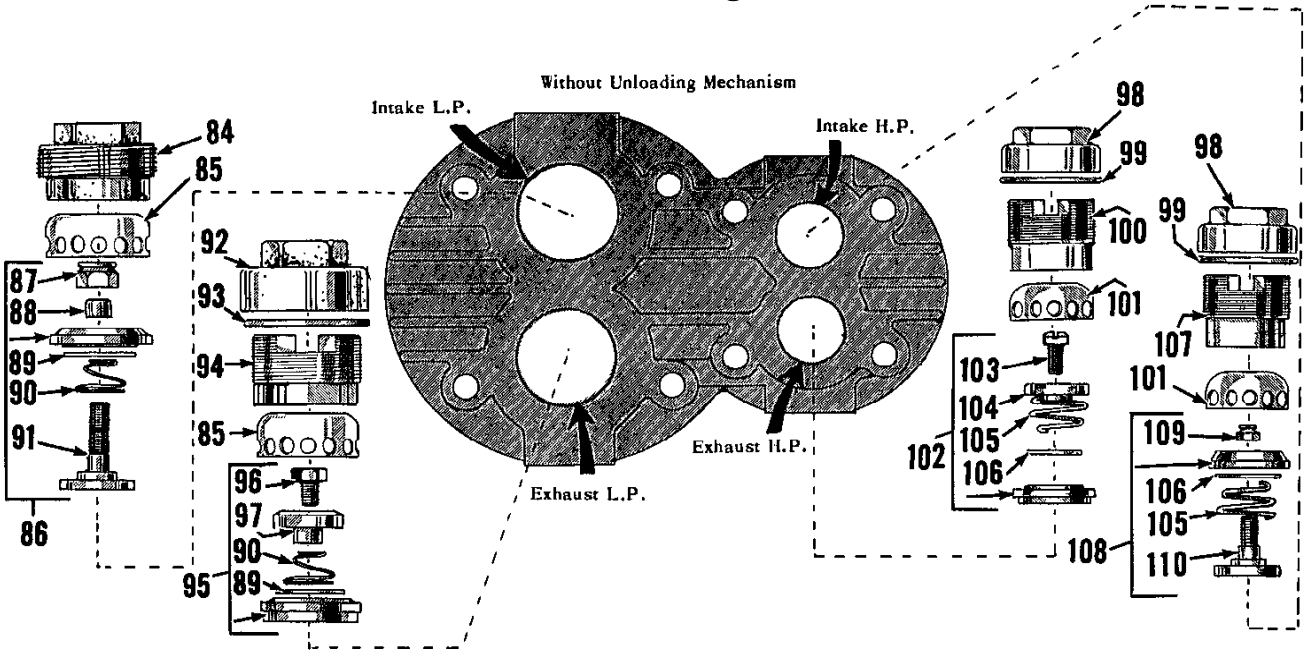


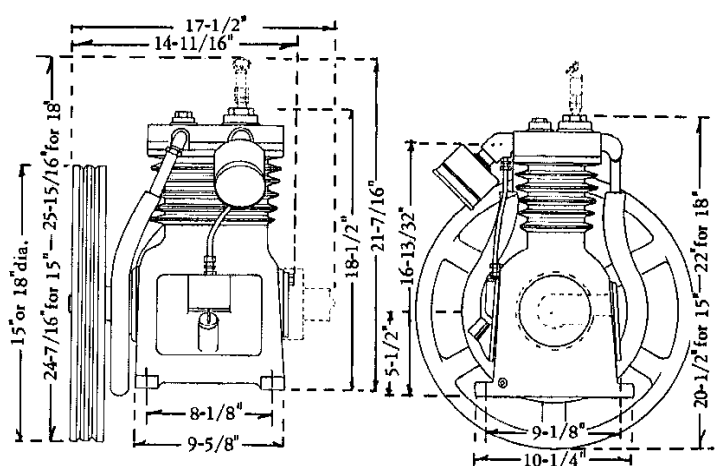


Ref. No.	Part No.	Description	Qty.
1	SS-30	Cap Screw	8
2	SS-1087	Street Ell	2
3	UAB-456	Connection Assembly	2
4	330-26-1	Head Gasket	1
5	130-298	Compression Ring (L.P.)	1
6	130-299	Oil Control Ring (L.P.)	2
7	130-412-2	Piston and Pin Assembly (L.P.)	1
8	330-610	Rod and Cap Assembly (L.P.)	1
9	SS-3674	Lockwasher	2
10	130-20	Locking Screw	1
11	225-41	Cap Screw	4
12	SS-7982	Stay-on-Nut	4
13	330-4-1	Cylinder and Crankcase	1
14	225-12	End Plate Gasket	1
15	330-10	End Plate (For 330-552-2 and 330-555 only)	1
16	SS-12	Cap Screw (When C.P.R. is used, use these screws to bolt Ref. 69 to compressor.)	4
17	225-23	Ball Bearing	2
18	225-6	Screw	2
19	SS-1229	Pipe Plug	1
20	225-61	Base Plate	1
21	SS-2	Cap Screw	8
22	330-6110	Rod and Cap Assembly (H.P.)	1
23	330-84	Locking Screw (H.P.)	1
24	330-24-1	Cylinder Head	1
25	330-476	Intercooler Tube Assembly	1
26	330-398	Compression Ring (H.P.)	3
27	330-399	Oil Control Ring (H.P.)	1
28	330-4112-1	Piston and Pin Assembly (H.P.)	1
29	SS-13	Cap Screw	6
30	{ 330-457 330-458	{ Flywheel Assembly (For 330-520-4 only) Flywheel Assembly (For 330-522-5, 330-552-2, and 330-555 only)	1
31	{ SS-155 SS-59	{ Cap Screw (For 330-520-4 only) Cap Screw (For 330-522-5, 330-552-2 and 330-555 only)	1
32	{ SS-1502 SS-1513	{ Lockwasher (For 330-520-4 only) Lockwasher (For 330-522-5, 330-552-2 and 330-555 only)	1

◆ These parts are suggested to be kept on hand by user for emergency replacement.

Distributed by: CENTRAIR Air Systems & Supplies,
Phone: 705-722-5747 Fax: 705-722-5458 sales@centrair.ca www.centrair.ca





Compressor	With Air Strainer	With Automatic Un-loader	With Centrifugal Pressure Release	Flywheel Size (inches and section)	Compressor Less Air Strainer and Flywheel
330-520-4	Yes	No	Yes	15-A	330-4522
330-522-5				18-A	330-4502
330-552-2			330-4501		
330-555		Yes	No		

Ref. No.	Part No.	Description	Qty.	Ref. No.	Part No.	Description	Qty.
33	SS-657	Hex Nut (For 330-520-4 only)	1	85	225-92	Valve Seat Spacer	2
	SS-659	Hex Nut (For 330-522-5, 330-552-2 and 330-555 only)	1	86	225-417-2	Intake Valve Assembly (L.P.)	1
34	330-450	Crankshaft and Oil Cup Assembly	1	87	SS-9781	Stay-on-Nut	1
35	225-43	Oil Cup	2	88	225-85-1	Valve Spacer	1
36	SS-3484	Key	1	89	225-25-1	Valve	2
37	130-111	Seal	1	90	225-36	Valve Spring	2
38	330-160	Washer	1	91	225-94-2	Valve Guide	1
39	225-13	End Plate Gasket	1	92	225-88	Valve Cap (For 330-520-4, 330-522-5 and 330-552-2 only)	1
40	225-9-1	End Plate	1	93	225-28	Gasket	1
41	225-5	Oil Throw Ring	2	94	130-89	Plug (For 330-520-4, 330-522-5 and 330-552-2 only)	1
42	356-501	Air Strainer Assembly	1	95	225-405-1	Exhaust Valve Assembly (L.P.)	1
43	SS-1299	Nipple	1	96	SS-9783	Cap Screw	1
44	356-6	Baffle	1	97	225-29-1	Valve Guide	1
45	356-4	Retainer	2	98	1202-88	Valve Cap	2
46	356-3	Felt	1	99	120-28	Gasket	2
47	356-5	Retainer Wire	1	100	330-89-2	Plug	1
48	SS-3212	Straight Compression Coupling	2	101	1201-92	Valve Seat Spacer	2
49	330-129	Tube	1	102	120-4405	Exhaust Valve Assembly (H.P.)	1
50	330-130	Cover Plate	1	103	SS-9785	Machine Screw	1
51	225-14	Gasket	2	104	120-29-1	Exhaust Valve Guide	1
52	342-112	Oil Gauge	1	105	120-36	Valve Spring	2
53	342-117	Washer	1	106	220-225	Valve	2
54	SS-904	Machine Screw	1	107	330-70-2	Plug (For 330-520-4, 330-522-5 and 330-552-2 only)	1
55	330-189	Cover Plate	1	108	120-417-2	Intake Valve Assembly (H.P.)	1
56	SS-9	Cap Screw	4	109	SS-7980	Stay-on-Nut	1
57	330-185	Valve Lever	1	110	120-94-1	Spring Retainer	1
58	330-188	Return Spring	1	111	TW-18	Compression Elbow	1
59	330-183	Cam	1	112	330-174	Tube	1
60	330-184	Screw	1	113	301-406	Unloading Mechanism (L.P.)	2
61	SS-6914	Cap Screw	1	114	301-17	Plunger Cap	1
62	SS-1503	Lockwasher	1	115	301-36	Plunger	1
63	330-182	Snap Ring	1	116	301-16	Plunger Guide	1
64	330-419-1	Ball Cam Assembly	1	117	130-35	Valve Cap	1
65	330-139-1	Ball Cage	1	118	225-406-2	Intake Valve Assembly (L.P.)	1
66	SS-1555	Steel Ball	10	119	225-39-2	Operating Fork	1
67	330-433	Ball Cup Assembly	1	120	225-38-1	Spring	1
68	330-144	End Plate Gasket	1	121	TIA-5050	Safety Valve	1
69	330-136	Pressure Release Housing	1	122	330-169	Valve Cap	1
70	SS-3672	Lockwasher	1	123	330-170	Plug	1
71	330-430-3	Release Valve Assembly	1	124	SS-3217	Compression Tee	1
72	TIA-3	Lock Nut	1	125	301-410	Unloading Mechanism (H.P.) (Order Ref. No. 133 also)	1
73	330-149-2	Valve Body	1	126	330-167	Locking Cap	1
74	330-456	Valve	1	127	SS-973	Machine Screw	1
75	330-150-2	Valve Stem	1	128	342-171	Washer	1
76	330-435	Seat and Retainer Assembly	1	129	330-166	Plunger	1
77	SS-733	Hex Nut	1	130	330-168	Plunger Guide	1
78	330-187	Valve Disc	1	131	1202-38	Spring	1
79	330-186	Valve Disc Body	1	132	1202-39	Operating Fork	1
80	330-152-2	Valve Spring	1	133	SS-2385	Packing	1
81	SS-3213	Straight Coupling	1	134	330-114	Adapter	1
82	330-153-1	Seal Cap	1				
83	330-137-3	End Plate	1				
84	130-79	Valve Cap	1				